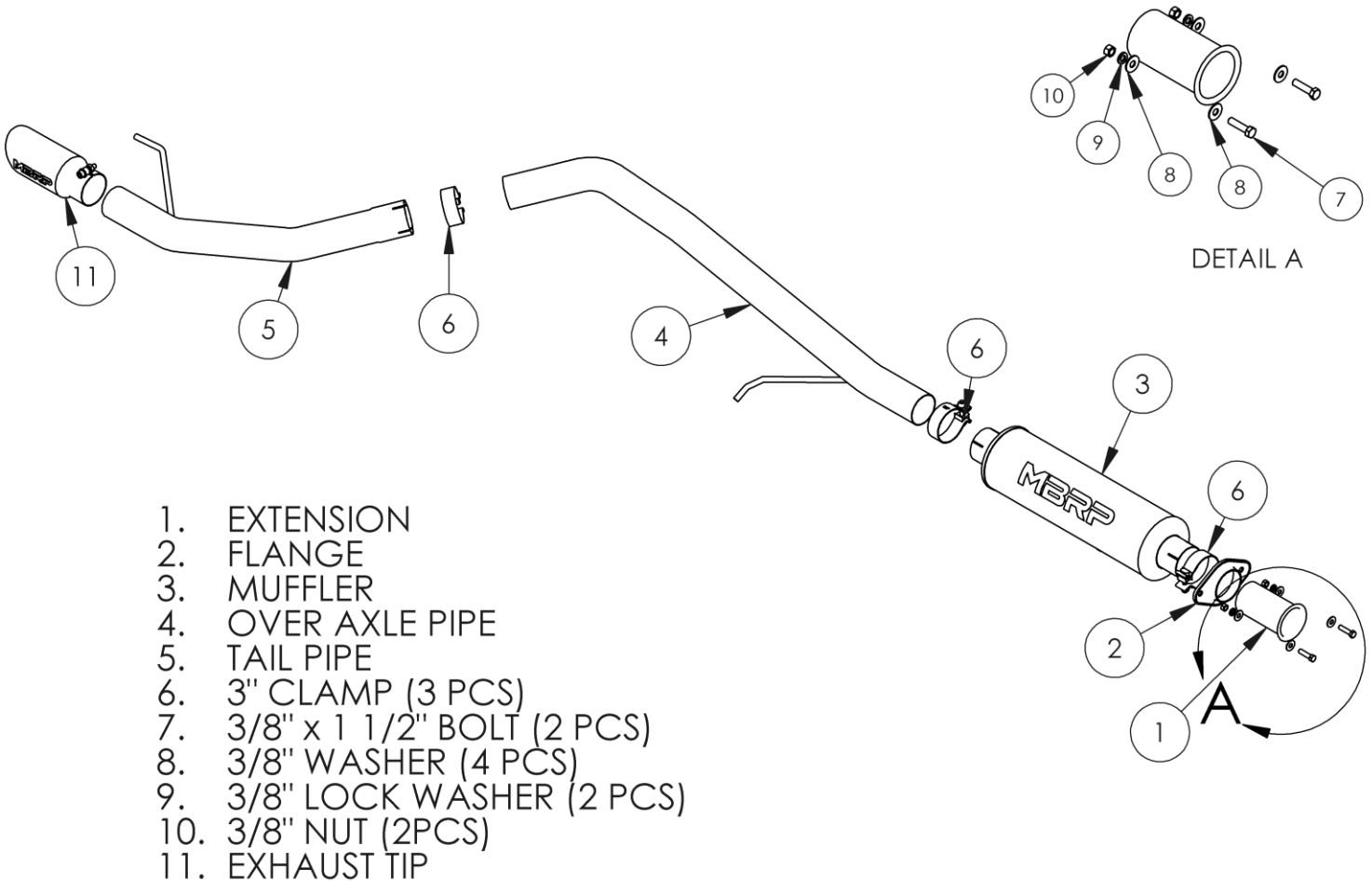


# S5504

06-10 JEEP COMMANDER, 4.7L/5.7L  
HEMI, CAT BACK, 3" SINGLE REAR  
EXIT

# MBRP®



## PLEASE READ BEFORE STARTING INSTALATION

**While MBRP has made every effort to ensure that all components of this system are of superior quality and properly packaged, it is the installer's responsibility to ensure the following before removal of the factory exhaust:**

- that ALL components shown above are present.
- that ALL mating components fit together.
- that there are no damaged components.
- that the system you have purchased is appropriate for your vehicle year, model and configuration.
- that the system will not interfere with any modifications previously installed or planned.
- that you have read and understand these instructions.

If you have any questions or are uncertain about any aspect of the installation of this system to your vehicle please contact your dealer before commencing installation.

# MBRP



**Figure 1**



**Figure 2**



**Figure 3**



**Figure 4**

## Removal of stock system:

1. Apply a penetrating lubricant liberally to all exhaust fasteners, hangers and rubber insulators.
2. Cut the exhaust behind the muffler so that it can be removed from the vehicle. **Refer to Figure 1.** Note some vehicles will have a flange behind the muffler so cutting can be avoided.
3. Remove the nuts from the studs holding the front flange together and disconnect exhaust system. The ground strap will be reused on installation. **Refer to Figure 2.**
4. Remove the hangers from the rubber insulators. The rearmost hanger has a weighted nut which must be removed. Remove the exhaust from the vehicle. **Refer to Figure 3.**

## Installation of MBRP Performance Exhaust:

1. Install the **Tail Pipe** hanger into the rear-most existing rubber isolator. **Refer to Figure 4.**
2. Slide a **3" Clamp** over the **Tail Pipe** and loosely install the **Over Axle Pipe** onto the **Tail Pipe**. **Refer to Figure 5.**

# MBRP



Figure 5

3. Slide a **3" Clamp** over the outlet side of the **Muffler**. Install the **Muffler** to the **Over Axle Pipe**. Slide a **3" Clamp** onto the inlet of the **Muffler** then install the **Extension Pipe and Flange**.

Refer to **Figure 6**.

4. Install the **Extension Pipe Flange** to the existing flange using the fasteners provided.

Refer to **Figure 7**.

5. Install the hanger for the **Over Axle Pipe** to the existing rubber insulator.

Refer to **Figure 8**.

6. Install and adjust the **Exhaust Tip** to suit. Tighten the lock bolt located on the **Exhaust Tip**.

Refer to **Figure 9**.

7. Carefully align the system and tip. Align the edge of each band clamp with the edge of the joint it is connecting. Tighten all hardware and clamps, starting at the front and working rearward to secure the system. Check along the full length of the exhaust system to ensure there is adequate clearance for fuel lines, vent lines, brake lines, frame, bodywork, suspension and any wiring, etc. If there is any interference detected, relocate or adjust to provide adequate clearance. Ensure all clamp connections are secure and components are unable to rotate or slide. Band clamps require approximately 45 lb-ft (60 N-m) of torque. Verify clearances, system security and band clamp torque after 30-60 miles (50-100 km) of driving.



Figure 6



Figure 7



Figure 8



Figure 9



**Congratulations!** You are ready to begin experiencing the improved power, sound and driving experience of your **MBRP** performance exhaust system.

We know you will enjoy your purchase!